

12V 460Ah LiFePO4 Lithium Battery

Over 5000 Cycles Life

Model NO: BG-12460



RV



Camper



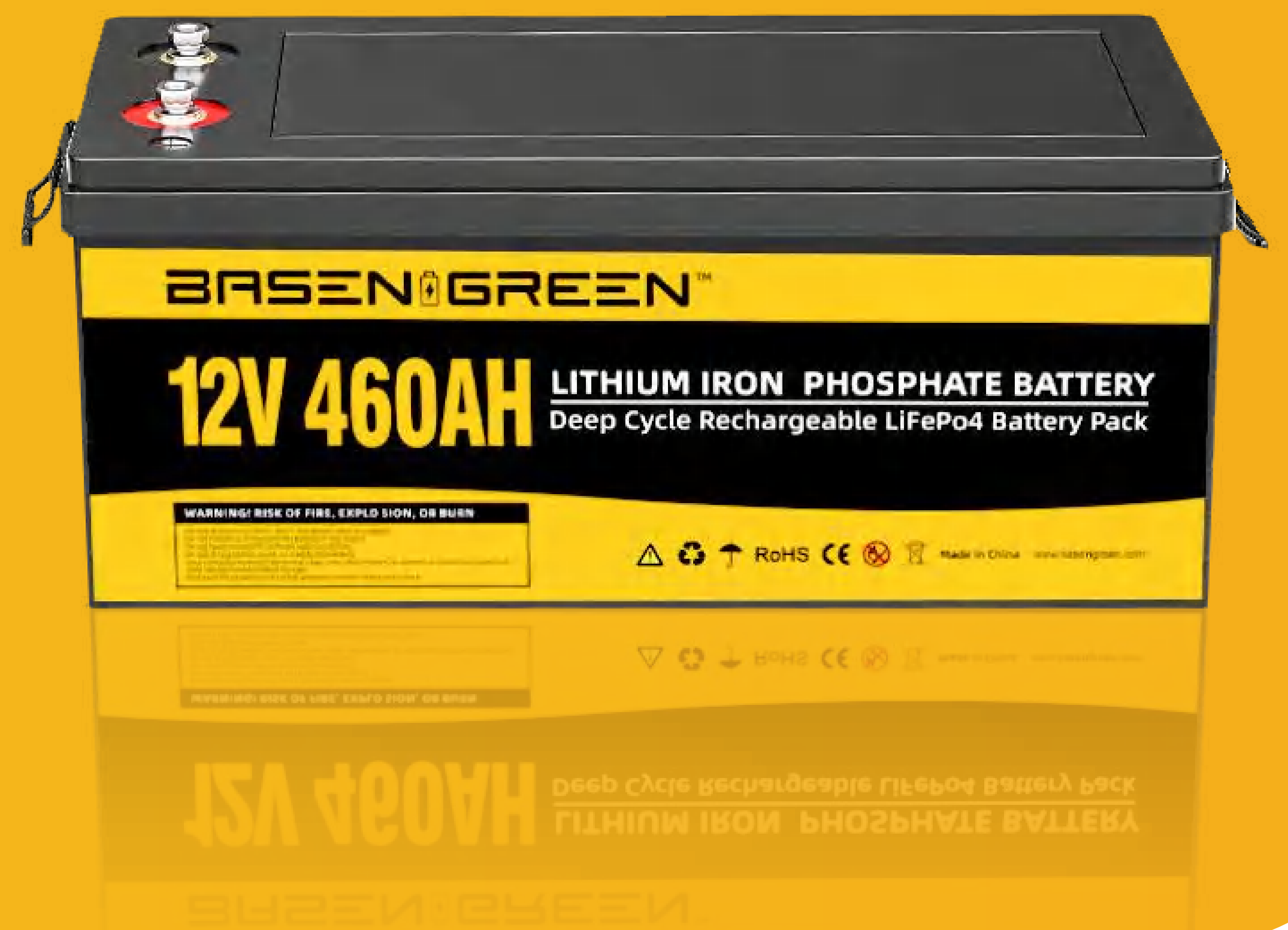
Marine



Solar Home



UPS Backup



Introduction

BG-12460 LiFePO4 Lithium Deep Cycle Battery, is With the Grade A Cells and Built-in Smart BMS, The Designed Life is Up to 10 Years. 5000 Cycles @ 80%DOD. Protections Include: Charging and Discharge Protection, Hardware Protection for Over-Voltage, Under-Voltage, Temperature, Overload, Short Circuit etc. It is Widely Used in Various Applications, Such as RV, Van, Camper, Marine, Camping, Off-Grid, Solar Home, Ups Backup, Golf Cart etc."

Features

CE

MSDS

UN38.3

Grade A Cells and Built-In Smart BMS

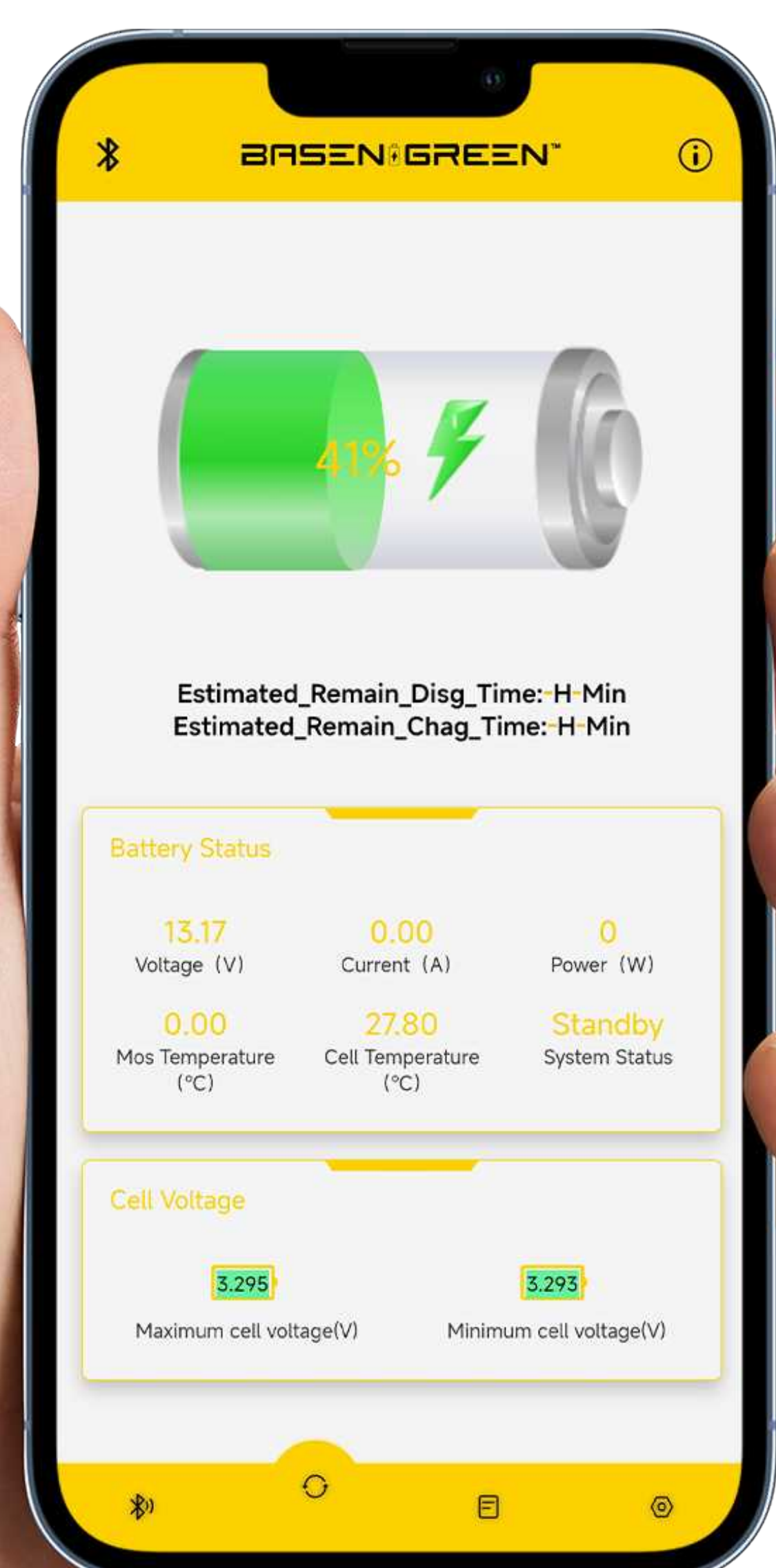
Over Current, Short Circuit, Over Charge and Over Discharge Protection

Black ABS Case and IP65 Waterproof

5000 Cycle Life and 5 Years Warranty

High & Low Temperature Auto Cut-Off Protection

Certified with CE / UN38.3 / MSDS



Bluetooth-APP

SOC Monitor

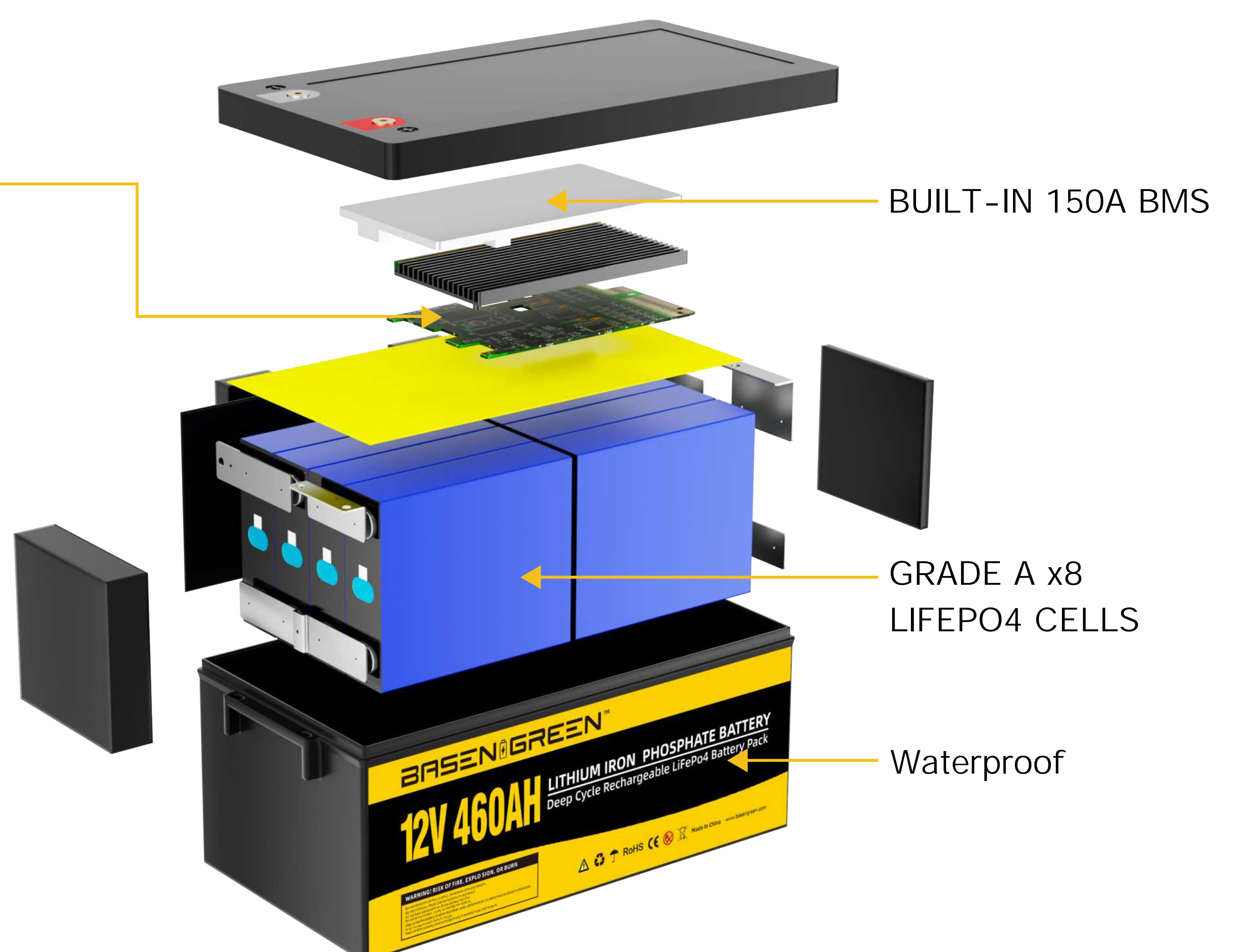
Temperature Monitor

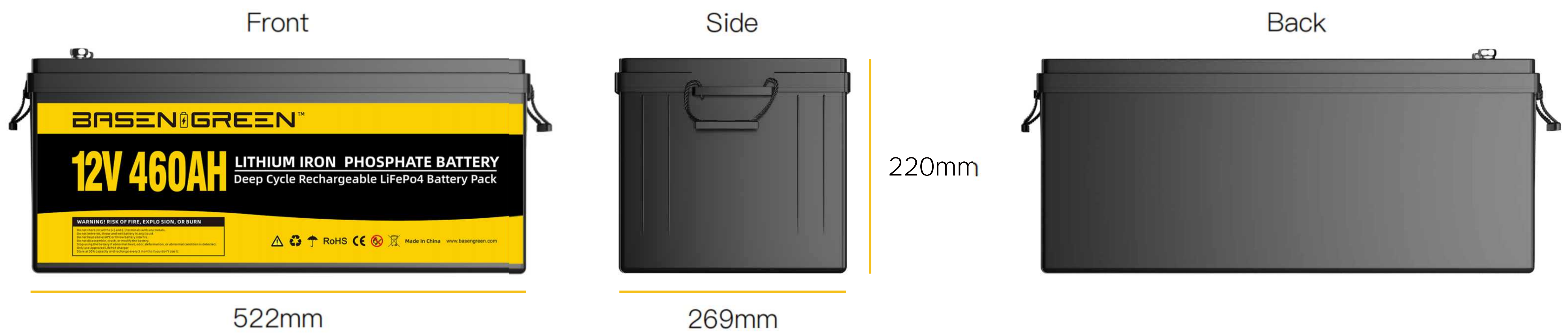
Voltage Monitor

Current Monitor

Cycle Monitor

Cell Monitor





| ELECTRICAL PROPERTIES | |
|----------------------------------|--------------------|
| Nominal Voltage | 12.8V |
| Nominal Capacity | 460Ah |
| Energy | 5888Wh |
| Self Discharge | < 3% / Month |
| CHARGE PERFORMANCE | |
| Maximum Charge Current | 150A |
| Recommend Charge Voltage | 14.6V |
| BMS Charge Cut-off Voltage | 14.6V |
| BMS Charge Cut off Recover | 14±0.05V |
| Balancing Voltage | < 13.2V(3.3V/Cell) |
| DISCHARGE PERFORMANCE | |
| Max Continuous Discharge Current | 150A |
| Short Circuit Protection Current | 1800A±360A |
| Dischage Cut-off | 10.8V |
| BMS Low-Voltage Protection | 10.8±0.05V |
| BMS Low Voltage Recover | 11.6±0.05V |
| BMS Short Circuit Protection | 250µs |
| TEMPERATURE PERFORMANCE | |
| Discharge Temperature | -20 ~ 60 °C |
| Charge Temperature | 0 ~ 55 °C |
| Storage Temperature | 10 ~ 35 °C |
| BMS High Temperature Cut | 55±2 °C |
| BMS High Temperature Recovery | 50±2 °C |
| PHYSICAL PROPERTIES | |
| Overall Dimensions (LxWxH) | 522x269x220mm |
| Weight | 41kg |
| Terminal Thread Type | M8 |
| Case Material | ABS |
| Protection Class | IP65 |
| COMPLIANCE | |
| Certifications | CE,MSDS,UN38.3 |

