

24V 100Ah LiFePO4 Lithium Battery

Over 4000 Cycles Life

Model NO: BG-24100



RV



Camper



Marine



Solar Home



UPS Backup



Introduction

BG-24100 LiFePO4 Lithium Deep Cycle Battery, is With the Grade A Cells and Built-in Smart BMS, The Designed Life is Up to 10 Years. 4000 Cycles @ 80%DOD. Protections Include: Charging and Discharge Protection, Hardware Protection for Over-Voltage, Under-Voltage, Temperature, Overload, Short Circuit etc. It is Widely Used in Various Applications, Such as RV, Van, Camper, Marine, Camping, Off-Grid, Solar Home, Ups Backup, Golf Cart etc.

Features

CE

MSDS

UN38.3

Grade A Cells and Built-In Smart BMS

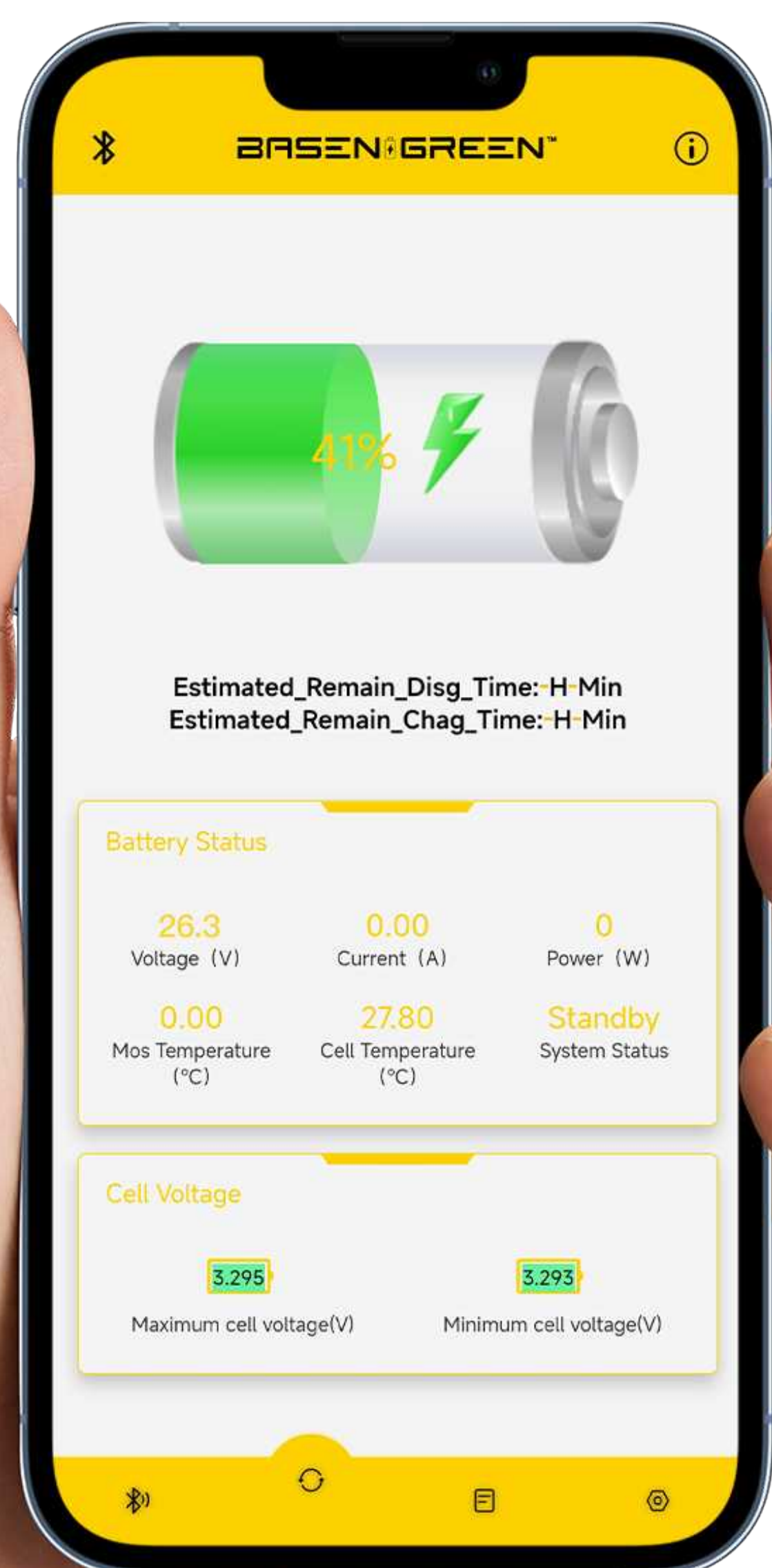
Over Current, Short Circuit, Over Charge and Over Discharge Protection

Black ABS Case and IP65 Waterproof

4000 Cycle Life and 5 Years Warranty

High & Low Temperature Auto Cut-Off Protection

Certified with CE / UN38.3 / MSDS



Bluetooth-APP

SOC Monitor

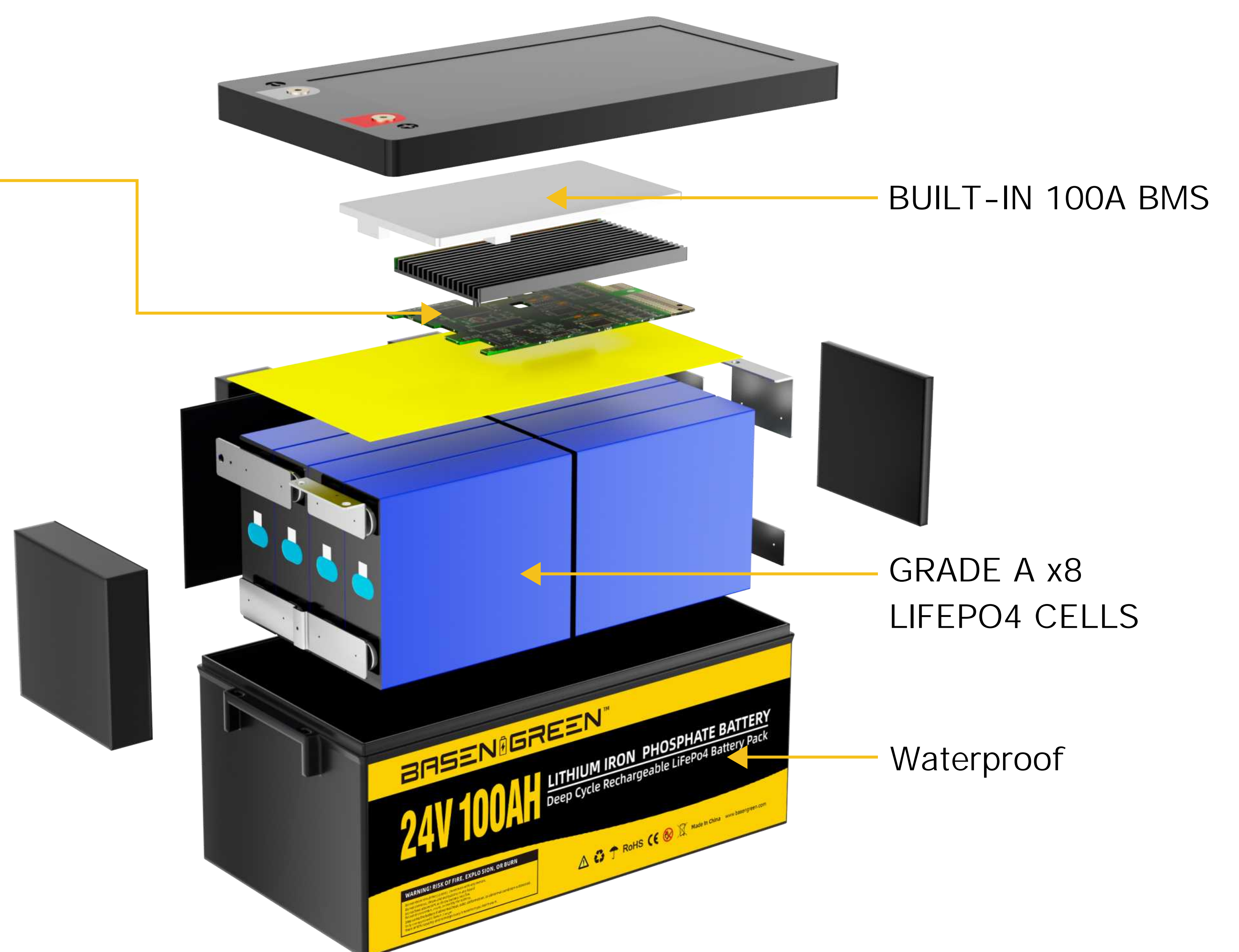
Temperature Monitor

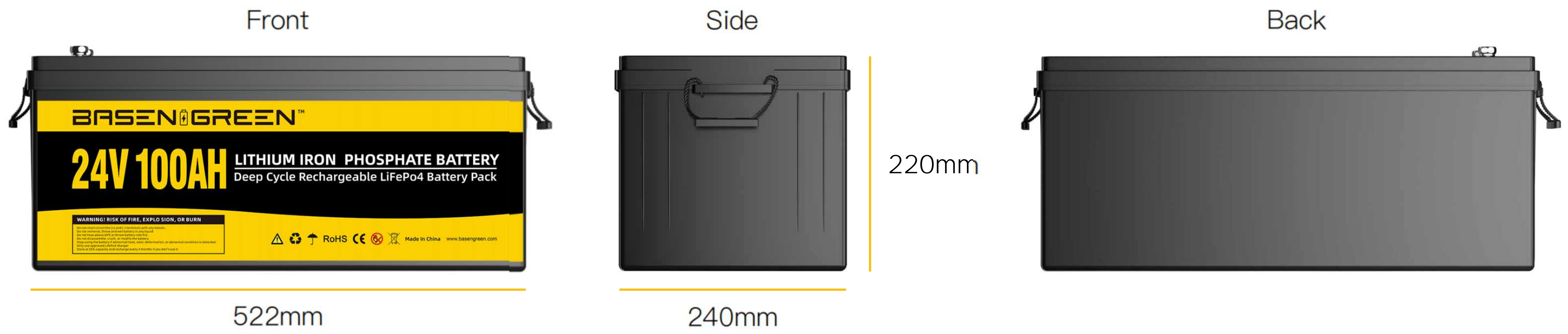
Voltage Monitor

Current Monitor

Cycle Monitor

Cell Monitor





ELECTRICAL PROPERTIES	
Nominal Voltage	25.6V
Nominal Capacity	100Ah
Energy	2560Wh
Self Discharge	< 3% / Month
CHARGE PERFORMANCE	
Maximum Charge Current	100A
Recommend Charge Voltage	28.8V
BMS Charge Cut-off Voltage	29.2V
BMS Charge Cut off Recover	28.4V
Balancing Voltage	28.0V
DISCHARGE PERFORMANCE	
Max Continuous Discharge Current	100A
Short Circuit Protection Current	1400A±280A
Dischage Cut-off	21.6V
BMS Low-Voltage Protection	21.6V
BMS Low Voltage Recover	23.2±0.05V
BMS Short Circuit Protection	250µs
TEMPERATURE PERFORMANCE	
Discharge Temperature	-20 ~ 60 °C
Charge Temperature	0 ~ 55 °C
Storage Temperature	0 ~ 45 °C
BMS High Temperature Cut	65±2 °C
BMS High Temperature Recovery	50±2 °C
PHYSICAL PROPERTIES	
Overall Dimensions (LxWxH)	522x240x220mm
Weight	24kg
Terminal Thread Type	M8
Case Material	ABS
Protection Class	IP65
COMPLIANCE	
Certifications	CE,MSDS,UN38.3



🏢 Shenzhen Basen Technology Co., Ltd.

✉ Email: info@basengroup.com / 🌐 Website: www.basenpower.com

📍 Add: Room 303, Building 3, 1980 Culture and Technology Industrial Park, Donghuan Road, Longhua District, Shenzhen