

# 24V 230Ah LiFePO4 Lithium Battery

Over 5000 Cycles Life

Model NO: BG-24230



RV



Camper



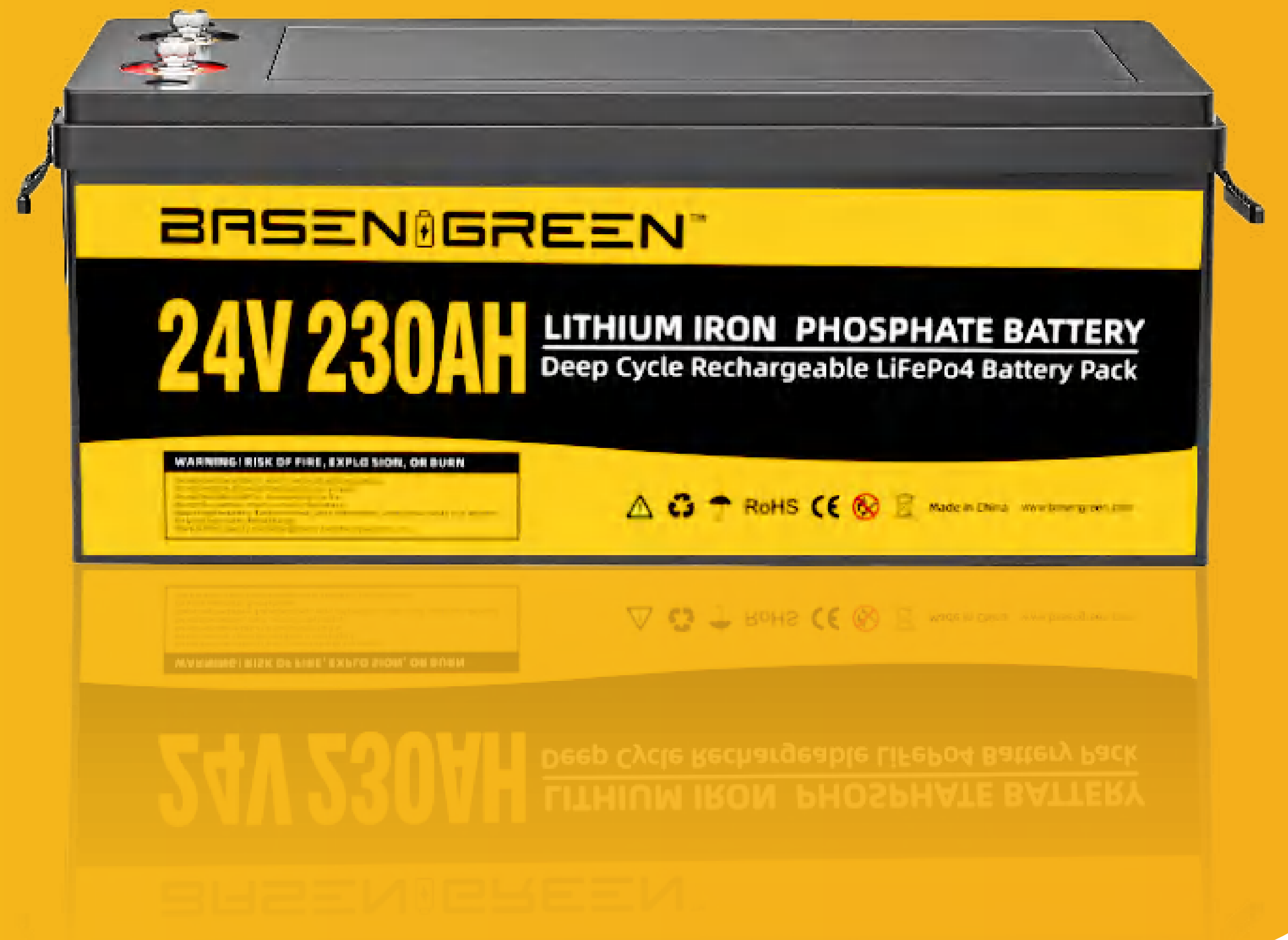
Marine



Solar Home



UPS Backup



## Introduction

BG-24230 LiFePO4 Lithium Deep Cycle Battery, is With the Grade A Cells and Built-in Smart BMS, The Designed Life is Up to 10 Years. 5000 Cycles @ 80%DOD. Protections Include: Charging and Discharge Protection, Hardware Protection for Over-Voltage, Under-Voltage, Temperature, Overload, Short Circuit etc. It is Widely Used in Various Applications, Such as RV, Van, Camper, Marine, Camping, Off-Grid, Solar Home, Ups Backup, Golf Cart etc.

## Features

CE

MSDS

UN38.3

Grade A Cells and Built-In Smart BMS

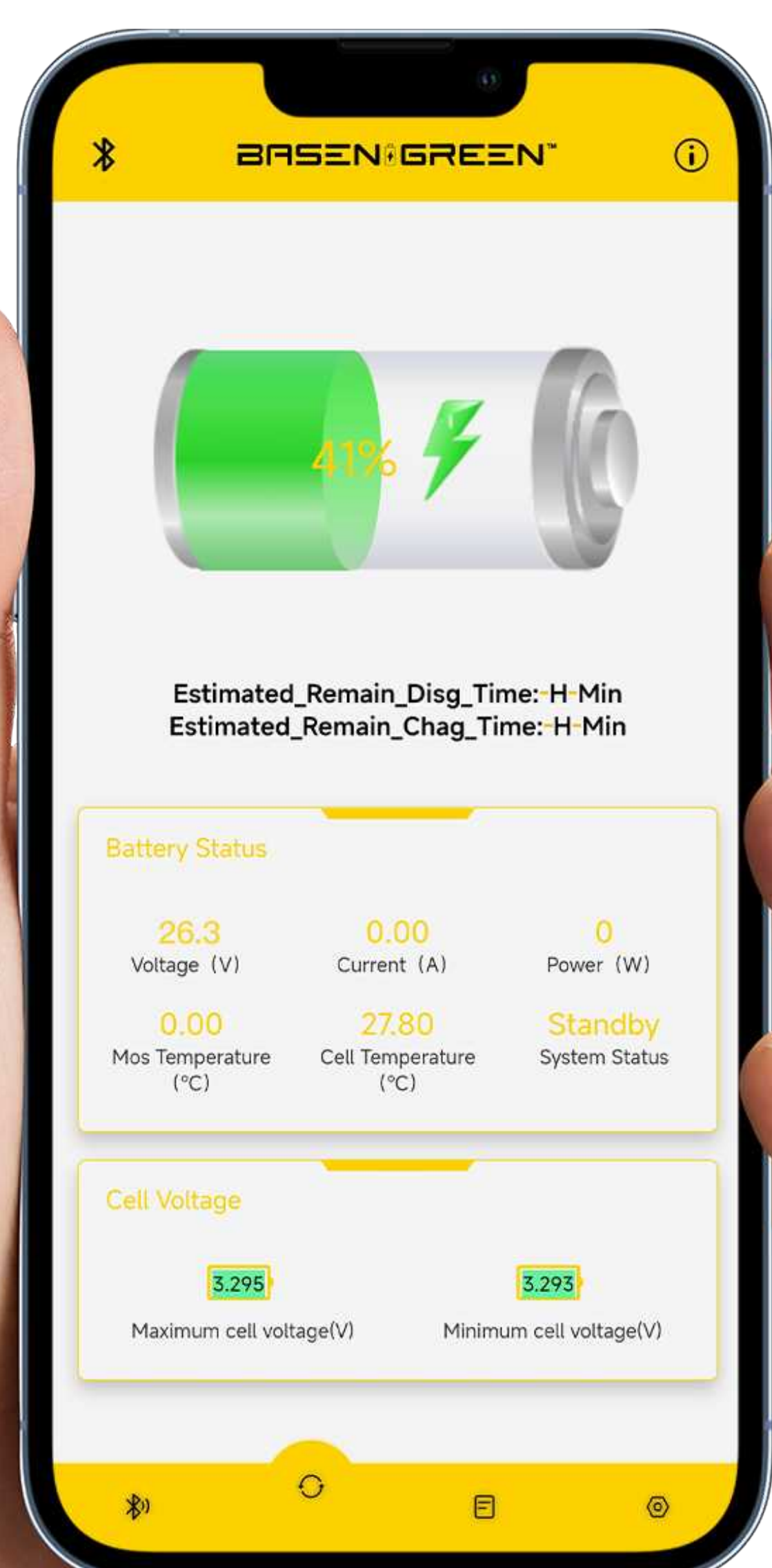
Over Current, Short Circuit, Over Charge and Over Discharge Protection

Black ABS Case and IP65 Waterproof

5000 Cycle Life and 5 Years Warranty

High & Low Temperature Auto Cut-Off Protection

Certified with CE / UN38.3 / MSDS



### Bluetooth-APP

SOC Monitor

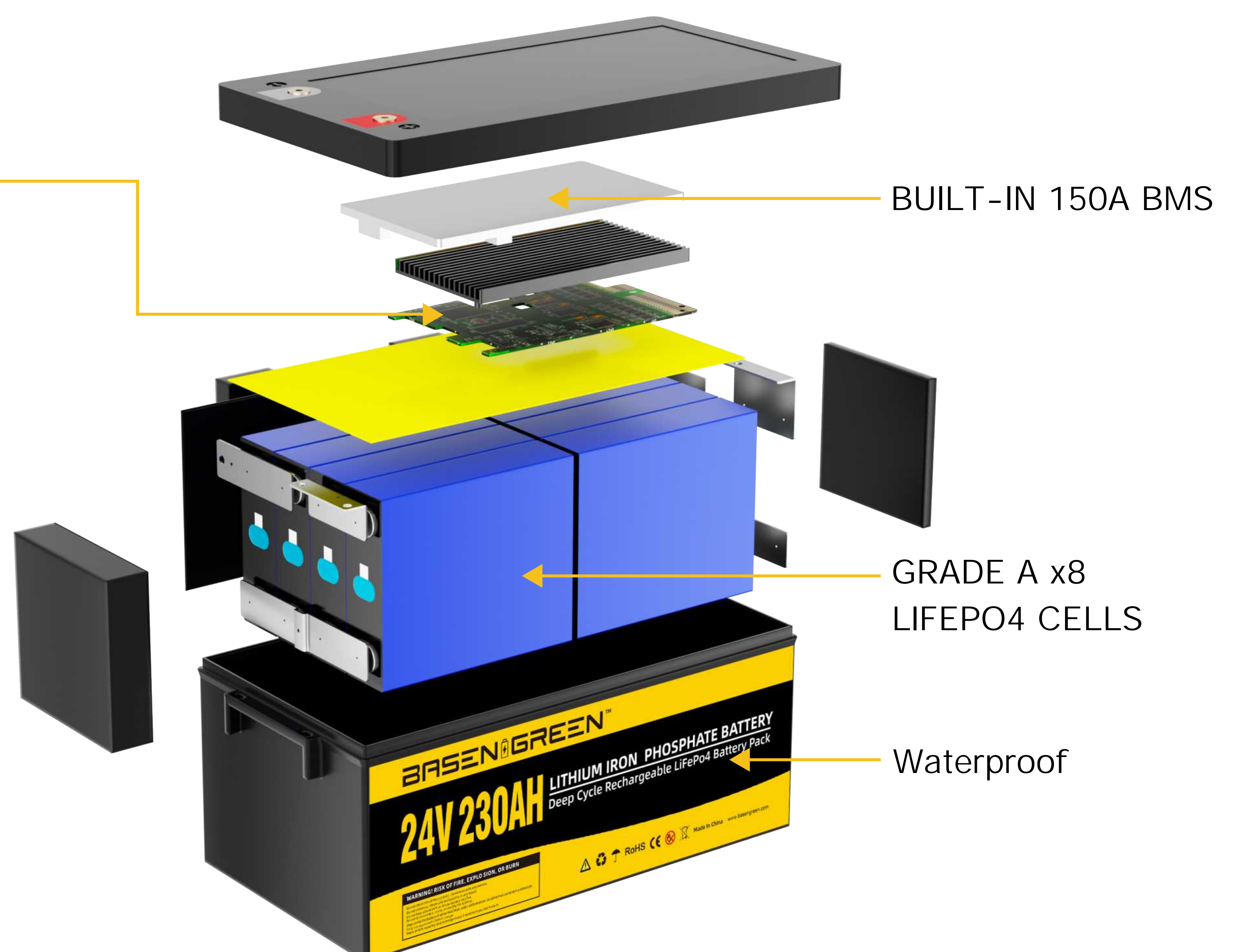
Temperature Monitor

Voltage Monitor

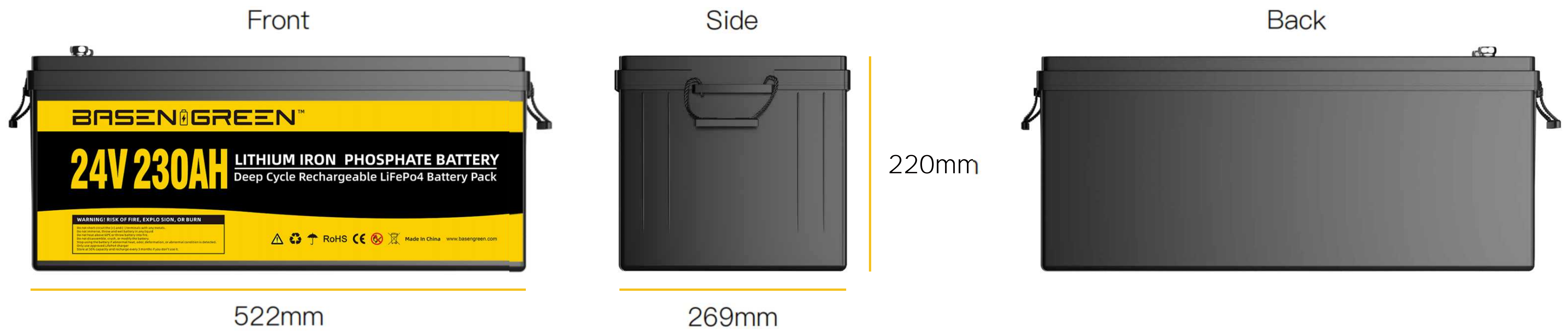
Current Monitor

Cycle Monitor

Cell Monitor







ELECTRICAL PROPERTIES	
Nominal Voltage	25.6V
Nominal Capacity	230Ah
Energy	5888Wh
Self Discharge	< 3% / Month
CHARGE PERFORMANCE	
Maximum Charge Current	150A
Recommend Charge Voltage	28.8V
BMS Charge Cut-off Voltage	29.2V
BMS Charge Cut off Recover	28.4V
Balancing Voltage	28.0V
DISCHARGE PERFORMANCE	
Max Continuous Discharge Current	150A
Short Circuit Protection Current	1800A±360A
Dischage Cut-off	21.6V
BMS Low-Voltage Protection	21.6V
BMS Low Voltage Recover	23.2±0.05V
BMS Short Circuit Protection	250µs
TEMPERATURE PERFORMANCE	
Discharge Temperature	-20 ~ 60 °C
Charge Temperature	0 ~ 55 °C
Storage Temperature	0 ~ 45 °C
BMS High Temperature Cut	65±2 °C
BMS High Temperature Recovery	50±2 °C
PHYSICAL PROPERTIES	
Overall Dimensions (LxWxH)	522x269x220mm
Weight	41kg
Terminal Thread Type	M8
Case Material	ABS
Protection Class	IP65
COMPLIANCE	
Certifications	CE,MSDS,UN38.3

